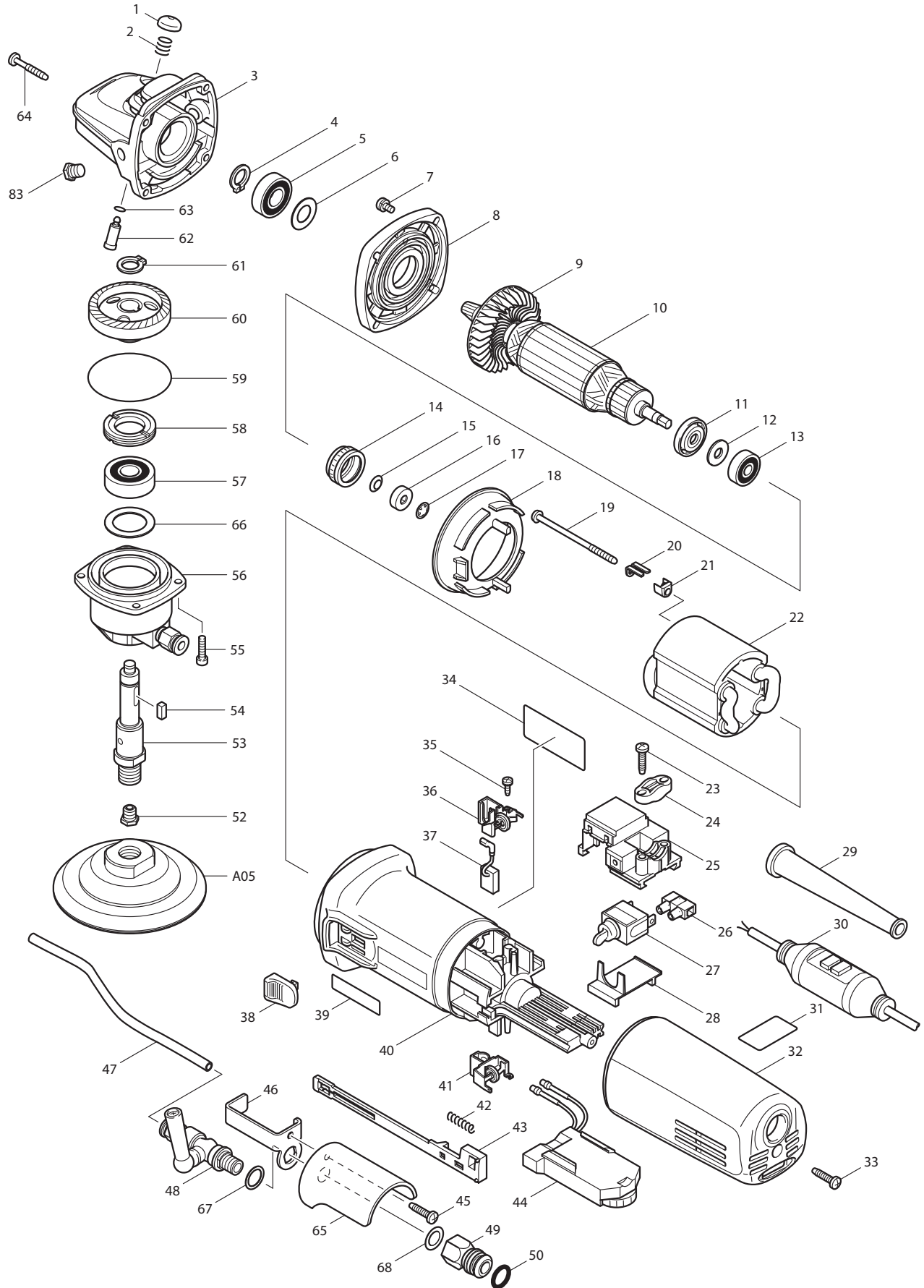
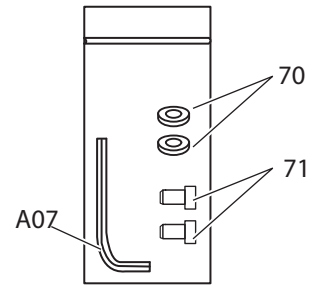
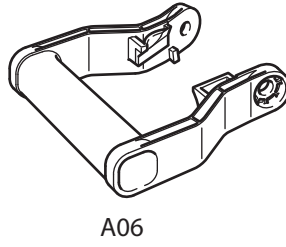
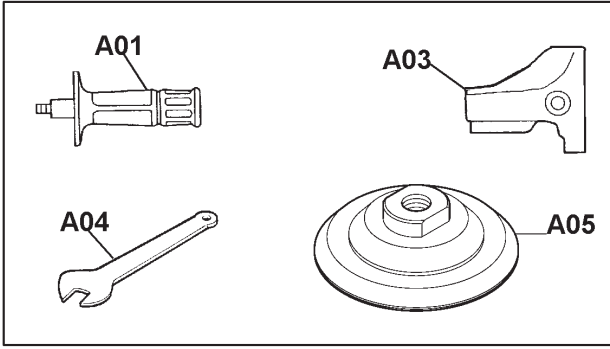




02 - 2013
PW5001C
5"(MAX) WET STONE POLISHER





PARTS LIST

Item No	Type	Part No	Description	Qty	Unit
001	2	418067-8	* PIN CAP	1	PC.
002		233072-2	COMPRESSION SPRING 8	1	PC.
003	2	153488-4	* GEAR HOUSING COM.	1	PC.
004		961052-5	RETAINING RING S-12	1	PC.
005	2	210105-0	BALL BEARING 6001LLU	1	PC.
006		253084-9	FLAT WASHER 12	1	PC.
007		652014-1	PAN HEAD SCREW M4X8	1	PC.
008		317736-7	GEAR HOUSING COVER	1	PC.
009		240033-5	FAN 57	1	PC.
010		515266-4	ARMATURE ASS'Y 115V	1	PC.
010	INC.		Item No.9,11,12,13		
011		681656-4	INSULATION WASHER	1	PC.
012		253823-7	FLAT WASHER 7	1	PC.
013		210027-4	BALL BEARING 627DDW	1	PC.
014	1	421738-8	LABYRINTH RUBBER RING 22	1	PC.
014	2	422750-1	LABYRINTH RUBBER RING 22	1	PC.
015		267756-0	WAVE WASHER 6	1	PC.
016		688117-5	MAGNET SLEEVE	1	PC.
017		259039-2	SELF LOCK 6	1	PC.
018		418452-5	BAFFLE PLATE	1	PC.
019		266258-3	TAPPING SCREW 4X70	2	PC.
020		344871-8	RETAINER	2	PC.
021		417237-6	INSULATION COVER	2	PC.
022		626546-4	FIELD 115V	1	PC.
023		265995-6	TAPPING SCREW 4X18	2	PC.
024	1	687063-9	* CORD CLAMP (STRAIN RELIEF)	1	PC.
024	2	687053-2	* STRAIN RELIEF	1	PC.
025		632999-7	SWITCH BLOCK	1	PC.
026		654532-5	TERMINAL BLOCK 1P	1	PC.
027		651418-4	SWITCH ST115A-40	1	PC.
028		687113-0	COVER	1	PC.
029	1	682559-5	* CORD GUARD 8	1	PC.
029	2	682566-8	* CORD GUARD 10	1	PC.
030	1	699025-5	* POWER SUPPLY CORD UNIT	1	PC.
030	1	INC. 652756-7	* RESIDUAL CURRENT DEVICE	1	PC.
030	2	699205-3	* POWER SUPPLY CORD UNIT	1	PC.
030	2	INC. 652125-2	* RESIDUAL CURRENT DEVICE	1	PC.
031	2	816398-3	INDICATION LABEL	1	PC.

Item No	Type	Part No	Description	Qty	Unit
032	3	418453-3	* REAR COVER (W/O CAUTION LABEL)	1	PC.
032	4	141S97-5	* REAR COVER (WCAUTION LABEL)	1	PC.
032	4	INC. 8070Y9-6	* CAUTION LABEL	1	PC.
033		265995-6	TAPPING SCREW 4X18	1	PC.
034		860103-0	NAME PLATE PW5001C	1	PC.
035		266256-7	TAPPING SCREW PT3X10	4	PC.
036		643765-7	BRUSH HOLDER	1	PC.
037	4	196454-8	A.C. CARBON BRUSH CB-340 2PC/SET (W/ ORIGIN)	1	SET
038		417813-6	SWITCH KNOB	1	PC.
040	2	418512-3	MOTOR HOUSING (W/O CAUTION LABEL)(OLD# 153757-3 - N/L/A)	1	PC.
041		643765-7	BRUSH HOLDER	1	PC.
042		233071-4	COMPRESSION SPRING 4	1	PC.
043		417186-7	SWITCH LEVER	1	PC.
044		631594-0	CONTROLLER	1	PC.
045		265995-6	TAPPING SCREW 4X18	1	PC.
046		345372-9	PLATE	1	PC.
047		245031-4	HOSE	1	PC.
048	2	154649-9	COCK COM.	1	PC.
048	2	INC. 243098-6	JOINT	1	PC.
049		331669-2	HOSE JOINT	1	PC.
050		213107-5	O RING 12	1	PC.
052	2	325967-4	NOZZLE (2 diagonal holes & 2 side holes)	1	PC.
053		324408-7	SPINDLE	1	PC.
054		254202-2	KEY 4	1	PC.
055		265490-6	HEX. SOCKET HEAD BOLT M4X16	4	PC.
056		153717-5	BEARING BOX COMPLETE	1	PC.
056		INC. 213280-1	OIL SEAL 17	2	PC.
056		INC. 243098-6	JOINT	1	PC.
057		211129-9	BALL BEARING 6201DDW	1	PC.
058		285841-7	BEARING RETAINER	1	PC.
059		213673-2	O RING 52	1	PC.
060		227455-6	SPIRAL BEVEL GEAR 38	1	PC.
061		961052-5	RETAINING RING S-12	1	PC.
062		256459-1	PIN	1	PC.
063		213048-5	O RING 6	1	PC.
064		266257-5	TAPPING SCREW 4X28	4	PC.
065		162235-2	COVER	1	PC.
066		267126-3	FLAT WASHER 22	1	PC.
067		261128-1	RUBBER WASHER 12	1	PC.

Item No	Type	Part No	Description	Qty	Unit
068		261127-3	FLUOROPLASTIC WASHER 10	1	PC.
069		265083-9	+ FLAT HEAD SCREW M8X11 (F/HEAD COVER)	2	PC.
070		941201-0	FLAT WASHER 8 (F/FRONT GRIP)	2	PC.
071		922422-3	H.S.H BOLT M8X16 (F/FRONT GRIP)	2	PC.
080		345587-8	* BAND A (F/DUST COVER COM.)	1	PC.
081		345588-6	* BAND B (F/DUST COVER COM.)	1	PC.
082		251391-4	* P.H.SCREW M5X6 (F/DUST COVER COM.)	2	PC.
083		265083-9	+ FLAT HEAD SCREW M8X11 (F/ GEAR HOUSING COM.)	1	PC.
100		652037-9	P.H.SCREW M3.5X8 (F/SWITCH)	2	PC.
101		654002-4	TERMINAL 1.25-M4 (F/EARTH)	1	PC.
102		654037-5	INSULATED EYE TERMINAL FT1.25-M3 (F/SWITCH)	2	PC.
A01	2	153489-2	GRIP 36 COMPLETE (Resin Grip)	1	PC.
A02		D-15805	POLISHING PAD SET (8PCS/SET)	1	SET
A03	2	141122-8	* HEAD COVER COM. (TYPE 3) (from Serial#45983E, Dec2010)	1	PC.
A03	2	INC. 810014-9	* CAUTION LABEL	1	PC.
A03	3	144016-6	* HEAD COVER COM.	1	PC.
A03	3	INC. 810014-9	* CAUTION LABEL	1	PC.
A03	4	417322-5	* HEAD COVER	1	PC.
A03	4	INC. 810014-9	* CAUTION LABEL	1	PC.
A04		781008-0	WRENCH 17	1	PC.
A05		743079-5	RUBBER PAD 100	1	PC.
A06		418507-6	FRONT GRIP	1	PC.
A07		783204-6	HEX WRENCH 6 (F/FRONT GRIP)	1	PC.
A08		154662-7	* DUST COVER COM.	1	PC.
A08		INC. 443121-9	* DUST COLLECT BRUSH	1	PC.
A09		988 394 610	PRESSURISED WATER TANK 10L	1	PC.
E05		810229-8	CAUTION LABEL	1	PC.

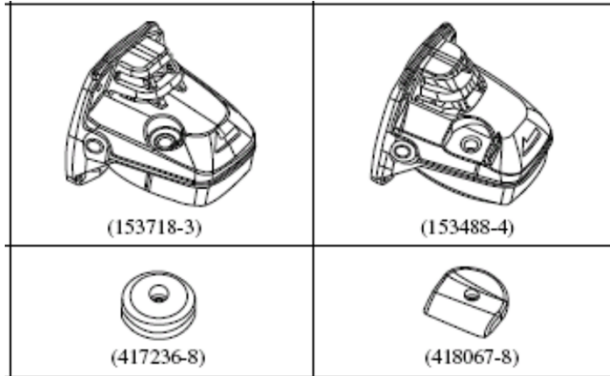
SERVICE CHANGES: PW5001C

1. Changes of Gear Housing

(T/I# 76564)

Item No.	Description	Type 1	Type 2
1	PIN CAP	417236-8	418067-8
3	GEAR HOUSING COM.	153718-3	153488-4

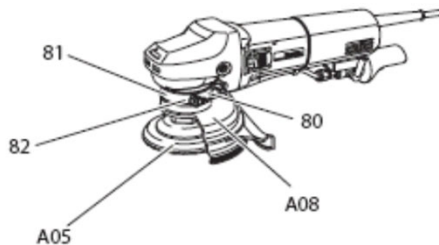
Above parts are completely interchangeable as a set.



2. Addition of Dust Cover Complete, Band A, Band B and P.H.Screw

(T/I# 72396)

Item No.	Description	Type 1	Type 2
A08	DUST COVER COMPLETE	-----	154662-7
Component of A08	DUST COLLECT BRUSH	-----	443121-9
80	BAND A	-----	345587-8
81	BAND B	-----	345588-6
82	P.H. SCREW	-----	251391-4



3. Change on Rear Cover and Head Cover

(T/I# 76813)

(T/I# 91063)

(T/I#B2236)

(T/I#DM184)

Item No.	Description	Type 1	Type 2	Type 3	Type 4	Type 5
32	REAR COVER	418453-3 (W/O Label)	158195-4 (W/ Label)	418453-3 (W/O Label)		141S97-5 (W/ Label)
A03	HEAD COVER	417322-5 (W/O Label)		141122-8 (W/ Label)	144016-6 (W/ Label)	417322-5 (W/O Label)

4. Changes of Power Supply Cord etc.

(T/I#DF240)

Item No.	Description	Type 1	Type 2	
30	POWER SUPPLY CORD UNIT	699025-5	699205-3	Component of #30
	RESIDUAL CURRENT DEVICE	652756-7	652125-2	
29	CORD GUARD 8	682559-5	-----	
	CORD GUARD 10	-----	682566-8	
24	CORD CLAMP	687063-9	-----	
	STRAIN RELIEF	-----	687053-2	

Above parts are completely interchangeable as a set.